

SW305K

PRODUCT SPECIFICATIONS

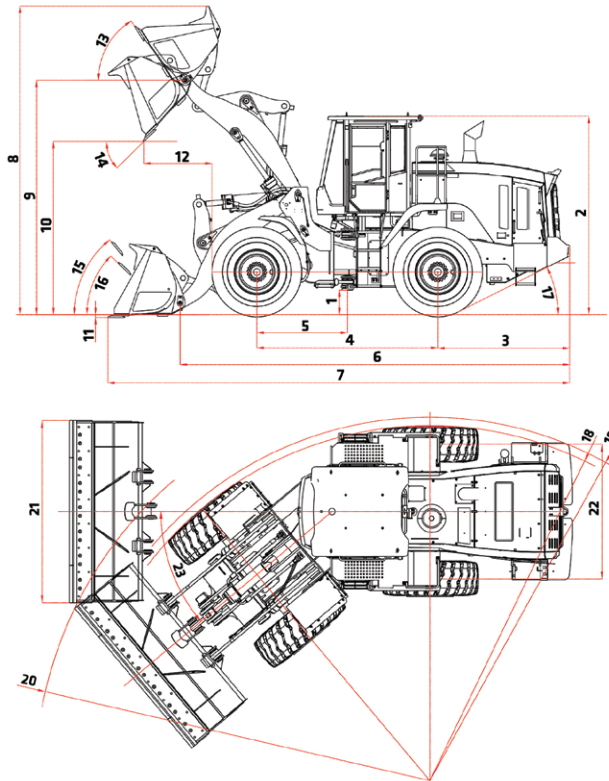


STANDARD FEATURES

- Engine: Deutz TCD 7.8
- Boom suspension system
- Differential Locking Axle
- Automatic Transmission Kick Down
- Bucket Self-Leveling and Return to Dig
- SANYLive Telematics
- Single joystick control
- Third Function Hydraulics
- Reversible fan
- Rear view camera
- ➔ Net Power
117.8 kW / 158 hp
- ➔ Bucket Capacity
2.29 m³ / 3.2 yd³
- ➔ Operating Weight
14,616 kg
- ➔ Full Turn Tipping Load
7714 kg

PRODUCT SPECIFICATIONS

MODEL: SW305K Wheel Loader



OVERALL DIMENSIONS

	METRIC	STANDARD
1 Height to Axle Centerline	695 mm	2' 3"
2 Height to Top of Cab	3405 mm	11, 2"
3 Center Line of Rear Axle to Edge of Counterweight	1911 mm	6' 3"
4 Wheelbase	3000 mm	9' 10"
5 Center Line of Front Axle to Center Pivot	1500 mm	59"
6 Shipping Length without Attachment	6562 mm	18' 7"
7 Shipping Length with Bucket	7511 mm	24' 8"
8 Max. Dump Height	5214 mm	17' 1"
9 Hinge Pin Height at Max. Lift	3834 mm	12' 7"
10 Dump Clearance at Max. Lift	2689 mm	8' 10"
11 Dig Depth, Level Bucket	117 mm	4.6"
12 Reach at Max. Lift and 45° Discharge	993 mm	39"
13 Roll Back at Max. Lift		61°
14 Dump Angle at Max. Lift and Dump		45°
15 Roll Back at Carry Height		49°
16 Roll Back at Ground		45°
17 Tail Angle to the Rear Wheel		28°
18 Clearance Circle to Outside of Tires	5382 mm	17' 8"
19 Clearance Circle to Counterweight	5338 mm	17' 6"
20 Max. Circle	5994 mm	19' 8"
21 Width of the Bucket	2545 mm	8' 4"
22 Width	2045 mm	80.5"
21 Articulation Angle		+/- 40°

In the interest of continual equipment development, SANY America, Inc. reserves the right to change these specifications at any time without prior notification.

Machine Parameters

Engine

Engine Model	Deutz TCD6.1
Max Gross Power	117.8 kW
Net Engine Power	158 hp
Max Gross Torque	287.57 kg
Displacement	6.1 ltr

Operating

Bucket Capacity	2.44 m ³
Breakout Force	12311 kg
Tipping Load Straight	7919 kg
Tipping Load @ Full Turn	7714 kg
Clearance (full lift 45° dump)	2469 mm
Reach (full lift 45° dump)	1006 mm

Weight

Operating Weight	14,616 kg
------------------	-----------

Hydraulic System

Max Flow	263.67 L/pm
Max Pressure	270 BAR

Hydraulic Cycle Times

Raise	5.2 sec
Dump	1.3 sec
Float Down	3.0 sec
Total Cycle Time	9.5 sec

Service Capacities

Fuel Tank	272.76 L
Cooling System	39.55 L
Engine Crankcase	15.52 L
Transmission	48.18 L
Front Axle	34.82 L
Rear Axle	34.82 L
Hydraulic Tank	128.70 L
DEF Tank	9.84 L

Transmission

Shift Modes	Automatic, Manual, Kick Down
Forward Gear 1-4	6-38 km/h
Reverse Gear 1-3	6-16 km/h

Power Train

Front Axle	Fixed
Traction Aid	Manual Differential Lock
Rear Axle	Oscillating
Traction Aid	Open Differential
Service Brakes	Wet Disk
Parking Brake	Disk Brake