



LARGE EXCAVATOR RANGE

SY365H



SANY

Sany SY365C 36.5 ton large excavator adopts customized engine, fast speed, high fuel efficiency and comfortable operating environment, an exceptional choice for infrastructure construction.

- » With a dual-pump, dual-circuit constant power control system, the engine can fully develop its power. The perfect combination of this two realizes the heavy-duty mode with large workload, the standard-mode with auto-adjusted engine speed and light-duty mode, high efficiency and low fuel consumption, while optimizing the combustion.
- » Safety design meets European, US and Japanese safety standard, and has reached world-class security and reliability standards.

SY365H - TIER 4F

 OPERATING WEIGHT:

36200kg

 ENGINE MODEL:

Cummins QSL9

 WARRANTY:

5 Year / 5,000 Hour

SY365H DIMENSIONS & SPECIFICATIONS

OVERALL DIMENSIONS

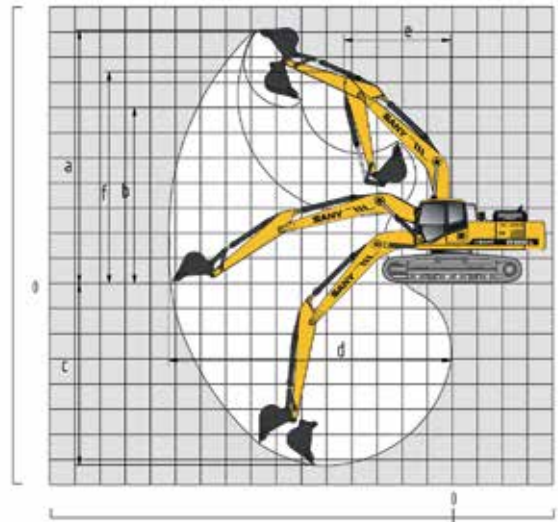
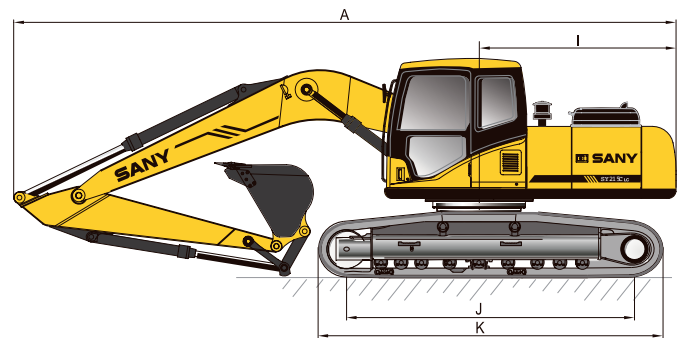
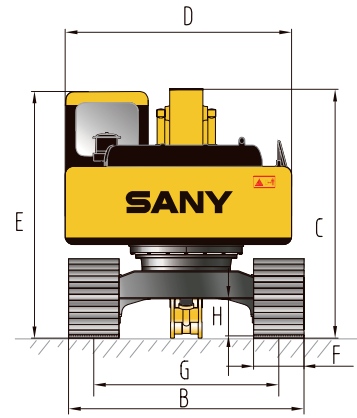
A	Transport Length	9728 mm
B	Transport Width	3080 mm
C	Transport Height	3675 mm
D	Upper Width	3145 mm
E	Tail Swing Radius	3330 mm
F	Min. Ground Clearance	550 mm

WORKING RANGE

a	Maximum Digging Height	10135 mm
b	Maximum Dumping Height	7180 mm
c	Maximum Digging Depth	7330 mm
d	Maximum Vertical Digging Depth	5850 mm
e	Maximum Digging Reach	11070 mm
f	Minimum Swing Radius	3800 mm
g	Height at min.swing radius	7940 mm

MACHINE PARAMETERS

Operating Weight	36200 kg
Engine Type	Cummins QSL9
Engine Max Power (Gross)	205/2200 kW/rpm
Engine Max Torque	1213/1500 N·m/rpm
Engine Displacement	9 L
Emission Standard	Tier 4 Final
Swing Speed	9.5 rpm
Travel Speed	3.2/5.4 km/h
Fuel Tank Capacity	540 L
Hydraulic Tank Capacity	340 L
Engine Oil Capacity	21.5 L
Gradeability	35°
Bucket Digging Force	200 kN
Arm Digging Force	169 kN
Bucket Capacity	1.5 m ³
Boom Length	6470 mm
Arm Length	3200 mm
Track Gauge	2590 mm
Track Length	5065 mm



Not all products are available in all markets. Under our policy of continuous improvement, Sany reserve the right to change specifications and design without prior notice. The illustrations do not necessarily show the standard version of the machine.

SANY HEAVY MACHINERY (AUSTRALIA)

21 EFFICIENT DRIVE, TRUGANINA VIC 3029

PHONE 0400 724 483 WWW.SANYAUSTRALIA.COM.AU



SANY